

PT190493-Bathroom

Project:

container: 6000x2438mm, height: 2760mm, clear height: 2500mm. 50mm PIR wall panel, 60mm PIR foam roof, floor: 18mm fibre cement board+aluminum sheet

Load:

wind load: 210km/h snow load: 1.00kN/m² floor live load: 2.50kN/m²

Material:

1. Roof: 60mm PIR roof, density of PIR: 42kg/m³, 0.5mm color steel upside (AZ50g/m²+PE painted 15/5um), 0.5mm 304 ss sheet downside.
2. wall panel: 50mm PIR sandwich panel, density of PIR 42kg/m³, 0.50mm color steel sheet outside (AZ50g/m²+PE painted 15/5um), 0.5mm 304 ss inside.
3. floor: 2.5mm aluminum floor+18mm fibre cement board (Note: with aluminum gutter).
4. door: 1030*2150mm steel door (rockwool core), 60mins fire rating, RAL9001.
5. accessories:
 1. stainless wash basin (with fittings+drainer+faucet+flexible hose+liquid soap dispenser+soap holder)
 2. European WC (fittings+shattaf+tissue holder)
 3. Asian WC (fittings+shattaf+tissue holder)
 4. partition board: 25mm compact board; 0.5mm 304 ss covered partition and internal door for shower cells
 5. 6" PVC ventilator

Copyright 2016.
 本图档为浙江普天集成房屋有限公司所有，非本工程中任何单位授权使用。
 本图档为浙江普天集成房屋有限公司所有，非本工程中任何单位授权使用。
 THE OWNERSHIP OF THE COPYRIGHT IN THIS DRAWING REMAINS BY ZHEJIANG PUTIAN INTEGRATED HOUSING CO., LTD. WRITTEN CONSENT MUST BE OBTAINED BEFORE ANY USE OR REPRODUCTION OF THE DRAWING.

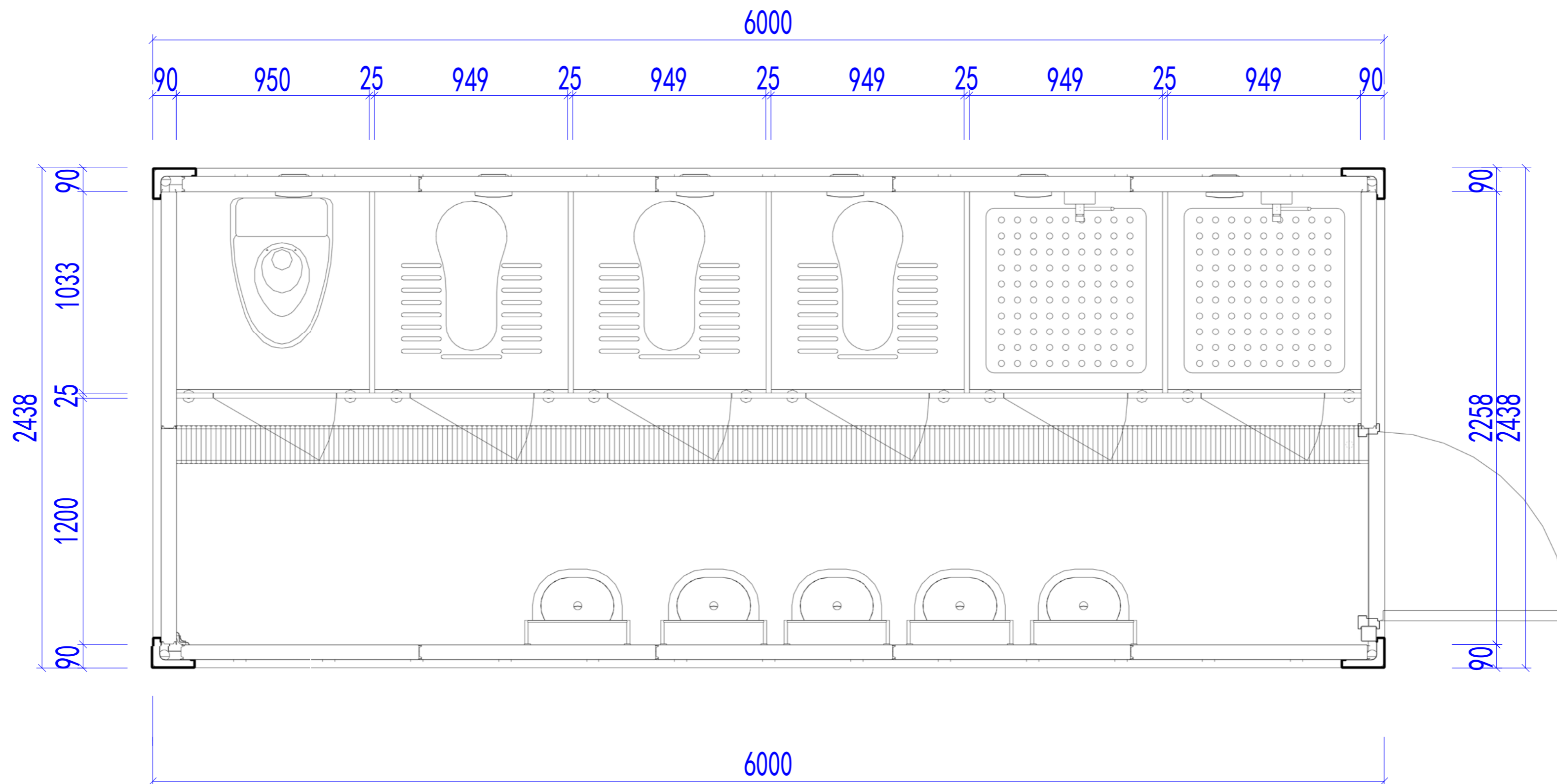
版本 Rev.	修改内容 Description	日期 Date	更改人 Who send
------------	---------------------	------------	-----------------

PTH
 Zhejiang Putian integrated housing Co., Ltd.
 Hangzhou Zhonggu Architecture Design (Institute) Co., Ltd.

证书等级	
证书编号	
合作设计单位	

工序 Process	签名 Signature	日期 Date
审定 Authorized By		
审核 Verified By		
项目负责人 Process		
校对人 Checked By		
设计 Designed By		07/01/19
制图 Drawn By		07/01/19
执业签章 Engineer Signature		
出图签章 Engineer Signature		
项目名称 Project Name	Bathroom	
图名 Title	Specification	
工程编号 Project No.	PT190493	专业 Specialty
比例 Scale		JZ JZ-0
未盖技术出图章 本图纸无效 This drawing is valid only after being stamped and signed.		

电力	照明	动力
暖通	给排水	
结构		
会	密	



Layout plan

Copyright 2016.
 本图版权归浙江普天集成房屋有限公司所有，基本工图中本图的所有权归浙江普天集成房屋有限公司所有。
 THE OWNERSHIP OF THE COPYRIGHT IN THIS DRAWING REMAINS BY ZHEJIANG PUTIAN INTEGRATED HOUSING CO., LTD. WRITTEN CONSENT MUST BE OBTAINED BEFORE ANY REPRODUCTION OF THE DRAWING.

Rev.	Description	Date	Who send

PTH
 Zhejiang Putian integrated housing Co., Ltd.
 Hangzhou Zhongou Architecture Design (Institute) Co., Ltd.

证书等级
 证书编号

合作设计单位
 Cooperative Designer

工序 Process	签名 Signature	日期 Date
审定 Authorized By		
审核 Verified By		
项目负责人 Process		
校对 Checked By		
设计 Designed By		07/01/19
制图 Drawn By		07/01/19

执业签章
 Engineer Signature

出图签章
 Engineer Signature

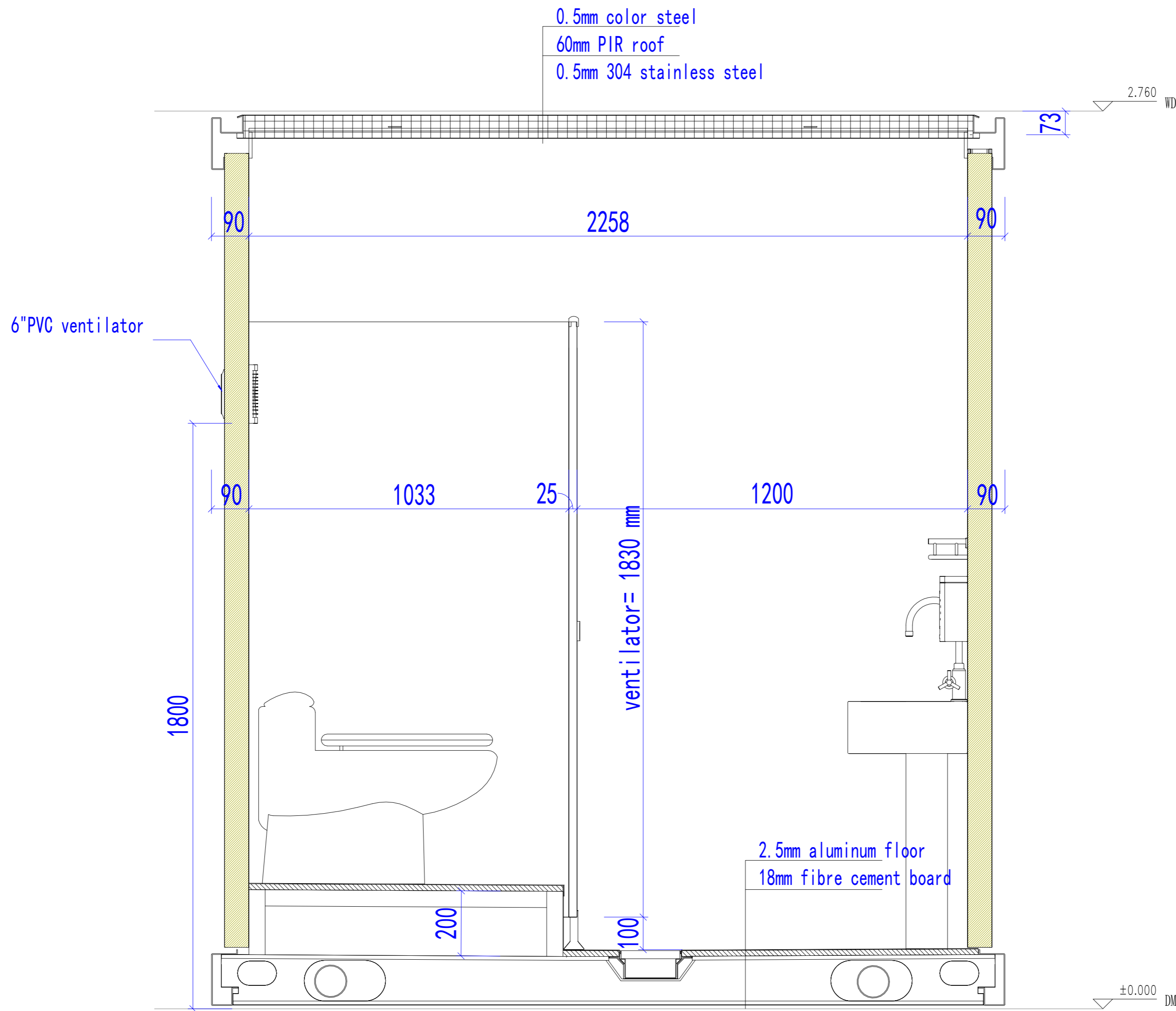
项目名称
 Project Name
Bathroom

题名
Layout plan

工程编号 Project No.	PT190493	专业 Prof.	JZ
比例 Scale		图号 Drawing No.	J0-4

未盖技术出图章 本图纸无效
 This drawing is valid only after being stamped and
 This drawing is valid only after being stamped and

电力	暖通	动力
结构	给排水	
暖通	给排水	
结构	给排水	
暖通	给排水	
结构	给排水	



Section

Copyright 2016.
 本图版权归浙江普天集成房屋有限公司所有，基本工程材料规格均按国家规范和标准。
 THE OWNERSHIP OF THE COPYRIGHT IN THIS DRAWING REMAINS BY ZHEJIANG PUTIAN INTEGRATED HOUSING CO., LTD. WRITTEN CONSENT MUST BE OBTAINED BEFORE ANY REPRODUCTION OF THE DRAWING.

Rev.	Description	Date	Who send

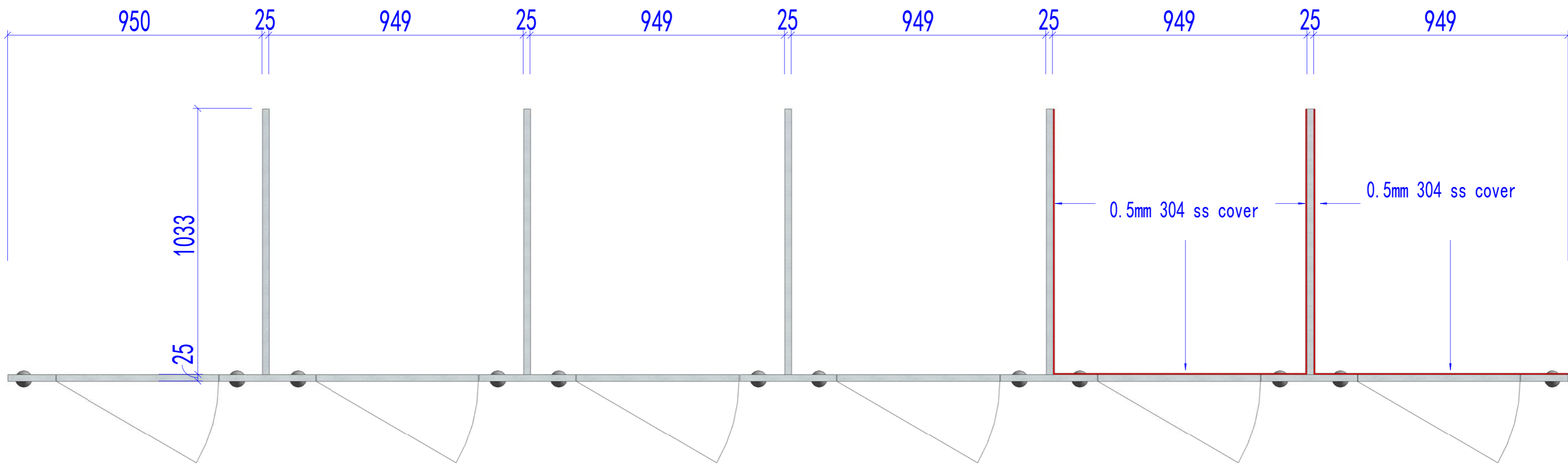
PTH
 Zhejiang Putian integrated housing Co., Ltd.
 Hangzhou Zhonggu Architecture Design (Institute) Co., Ltd.

证书等级
 证书编号
 合作设计单位

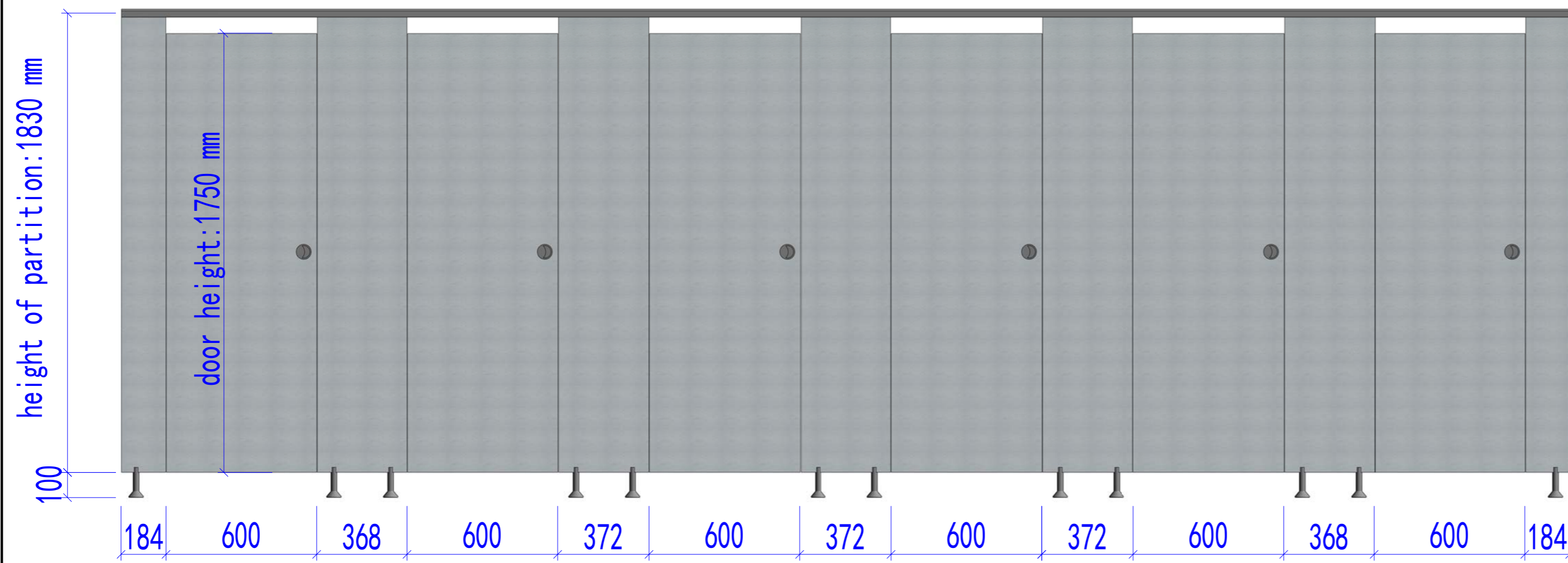
工序	签名	日期
审定		
审核		
项目负责人		
校对人		
设计		07/01/19
制图		07/01/19

执业签章
 出图签章
 项目名称
Bathroom
 图名
Section
 工程编号 PT190493 专业 JZ
 比例 1:10 图号 J0-6
 未盖技术出图章 本图纸无效

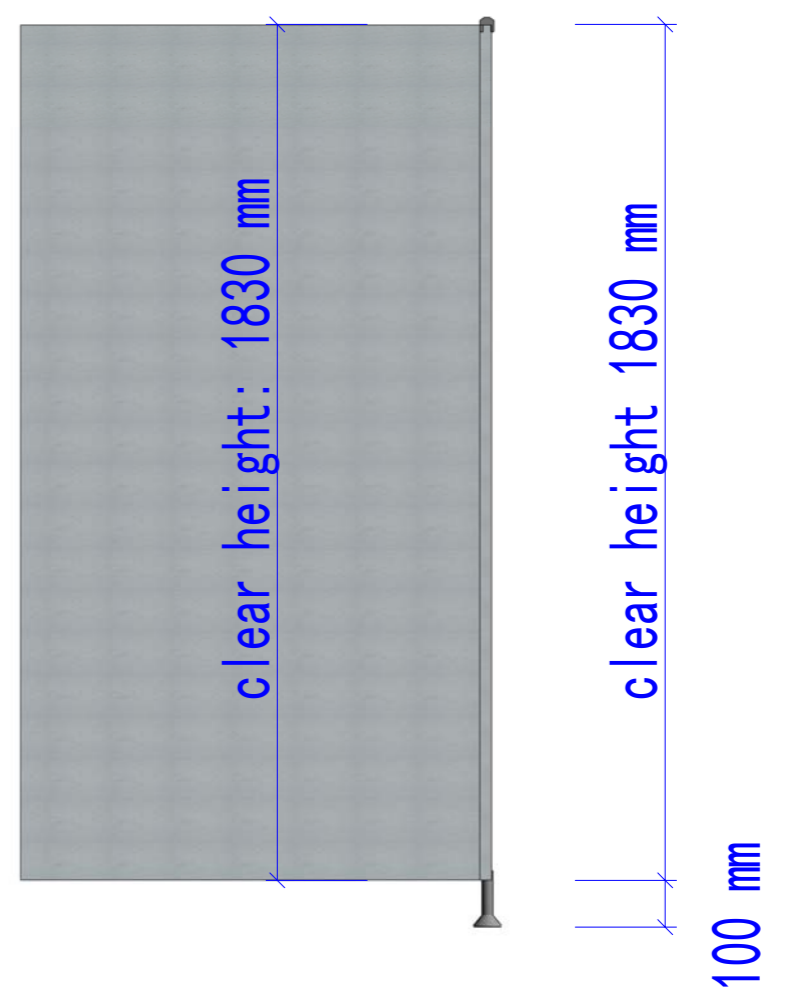
电力	暖通	给排水
动力	结构	电气
暖通	给排水	动力
结构	电气	暖通
电气	暖通	给排水
动力	结构	电气



Partition plate size



Elevation of partition



section

Copyright 2016.

THE OWNERSHIP OF THE COPYRIGHT IN THIS DRAWING REMAINS WITH THE DESIGNER. NO PART OF THIS DRAWING IS TO BE REPRODUCED OR TRANSMITTED IN ANY FORM OR BY ANY MEANS, ELECTRONIC OR MECHANICAL, INCLUDING PHOTOCOPYING, RECORDING, OR BY ANY INFORMATION STORAGE AND RETRIEVAL SYSTEM, WITHOUT THE WRITTEN PERMISSION OF THE DESIGNER.

Rev.	Description	Date	Who send

PTH

Zhejiang Putian integrated housing Co., Ltd.
Hangzhou Zhongou Architecture Design Institute Co., Ltd.

证书等级	
证书编号	
合作设计单位	

工序	签名	日期
审定		
审核		
项目负责人		
校对人		
设计		07/01/19
制图		07/01/19

执业印章

出图印章

项目名称
Bathroom

题名
Partition board plan

工程编号	PT190493	专业	JZ
比例		图号	J0-7

未盖技术出图章 本图纸无效

动力	动力
热力	热力
暖通	暖通
给排水	给排水
电气	电气
结构	结构
建筑	建筑
其他	其他

Copyright 2016.
 本图版权归浙江中天集成房屋有限公司所有，基本工程材料本图版权归浙江中天集成房屋有限公司所有。
 THE OWNERSHIP OF THE COPYRIGHT IN THIS DRAWING REMAINS BY ZHEJIANG PUTIAN INTEGRATED HOUSING CO., LTD. WRITTEN CONSENT MUST BE OBTAINED BEFORE ANY REPRODUCTION OF THE DRAWING.

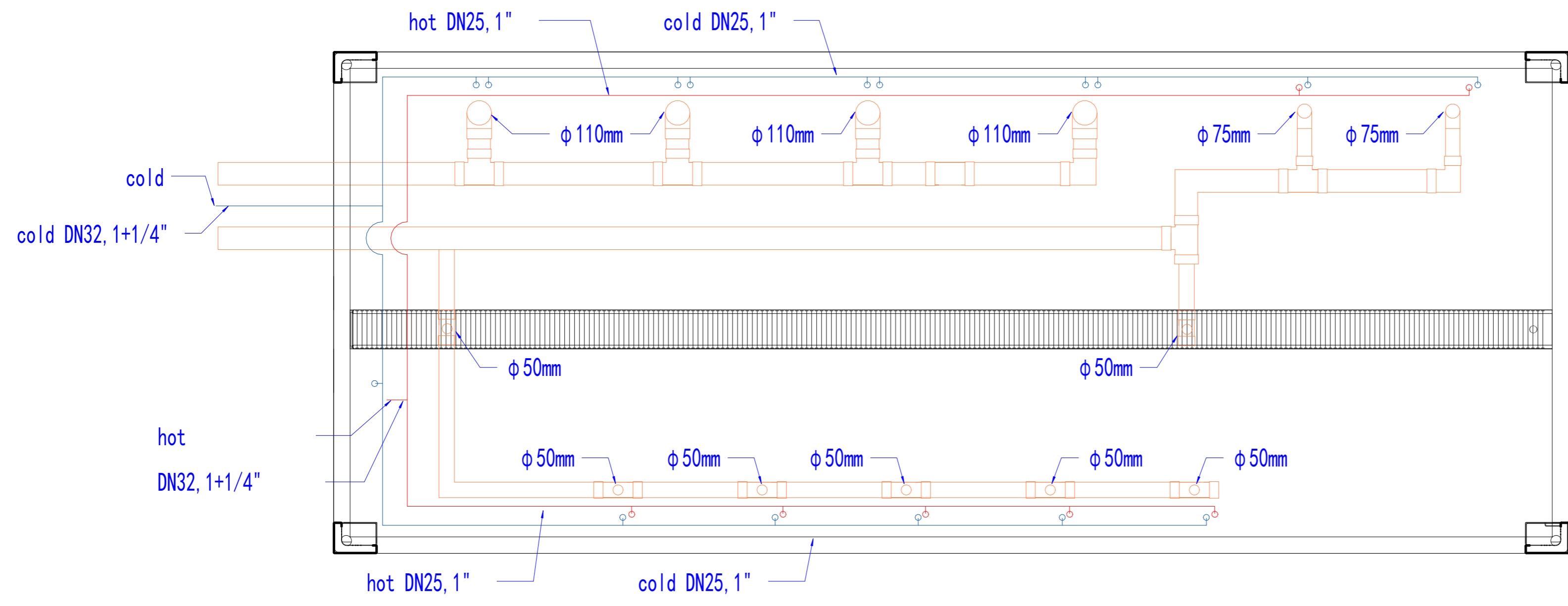
Rev.	Description	Date	Who send
------	-------------	------	----------



Zhejiang Putian integrated housing Co., Ltd.
 Hangzhou Zhongou Architecture Design (Institute) Co., Ltd.

证书等级	
证书编号	

合作设计单位
 Cooperative Designer



Plumbing plan

工序 Process	签名 Signature	日期 Date
审定 Authorized By		
审核 Verified By		
项目负责人 Process		
校对 Checked By		
设计 Designed By	设计者	10/31/19
制图 Drawn By	作者	10/31/19

执业签章
 Engineer Signature

出图签章
 Engineer Signature

项目名称
 Project Name
Bathroom

题名
 Title
Plumbing plan

工程编号 No.	PT190493	专业 Prof.	JZ
比例 Scale		图号 No.	J0-9

未盖技术出图章 本图纸无效
 This drawing is valid only after being stamped and
 This drawing is invalid without the technical drawing stamp.

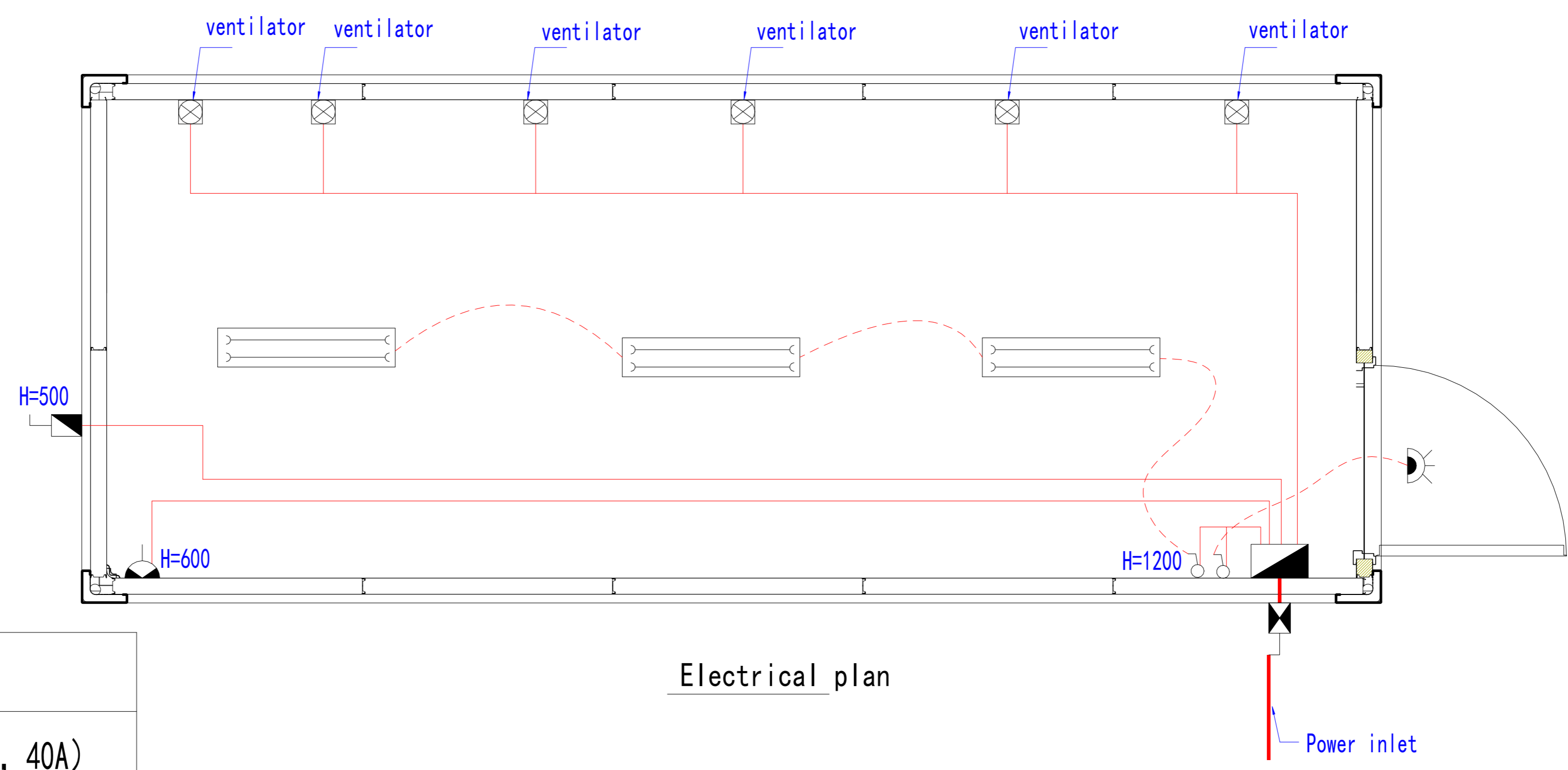
电力	照明	动力
暖通	结构	给排水
会	密	

Copyright 2016.
 本图版权归浙江普天集成房屋有限公司所有，基本工图中未标注的均按国家规范和标准。
 THE OWNERSHIP OF THE COPYRIGHT IN THIS DRAWING REMAINS BY ZHEJIANG PUTIAN INTEGRATED HOUSING CO., LTD. WRITTEN CONSENT MUST BE OBTAINED BEFORE ANY REPRODUCTION OF THE DRAWING.

Rev.	Description	Date	Who send

PTH
 Zhejiang Putian integrated housing Co., Ltd.
 Hangzhou Zhongou Architecture Design (Institute) Co., Ltd.

证书等级
 证书编号
 合作设计单位



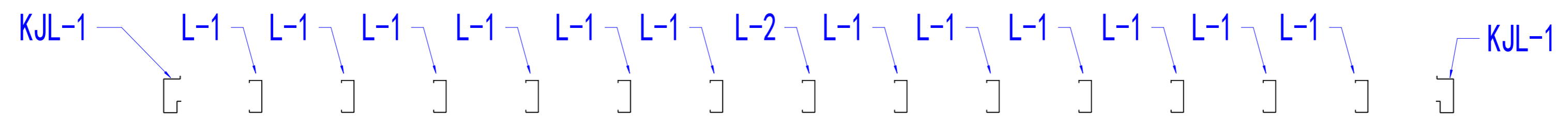
Electrical plan

	20A outlet
	power inlet (3 pin, 40A)
	ventilator
	13A socket
	Isolator for A/C
	double tube LED (2x20LED) water-proofing
	single switch
	outdoor lamp (water-proofing)
	DB

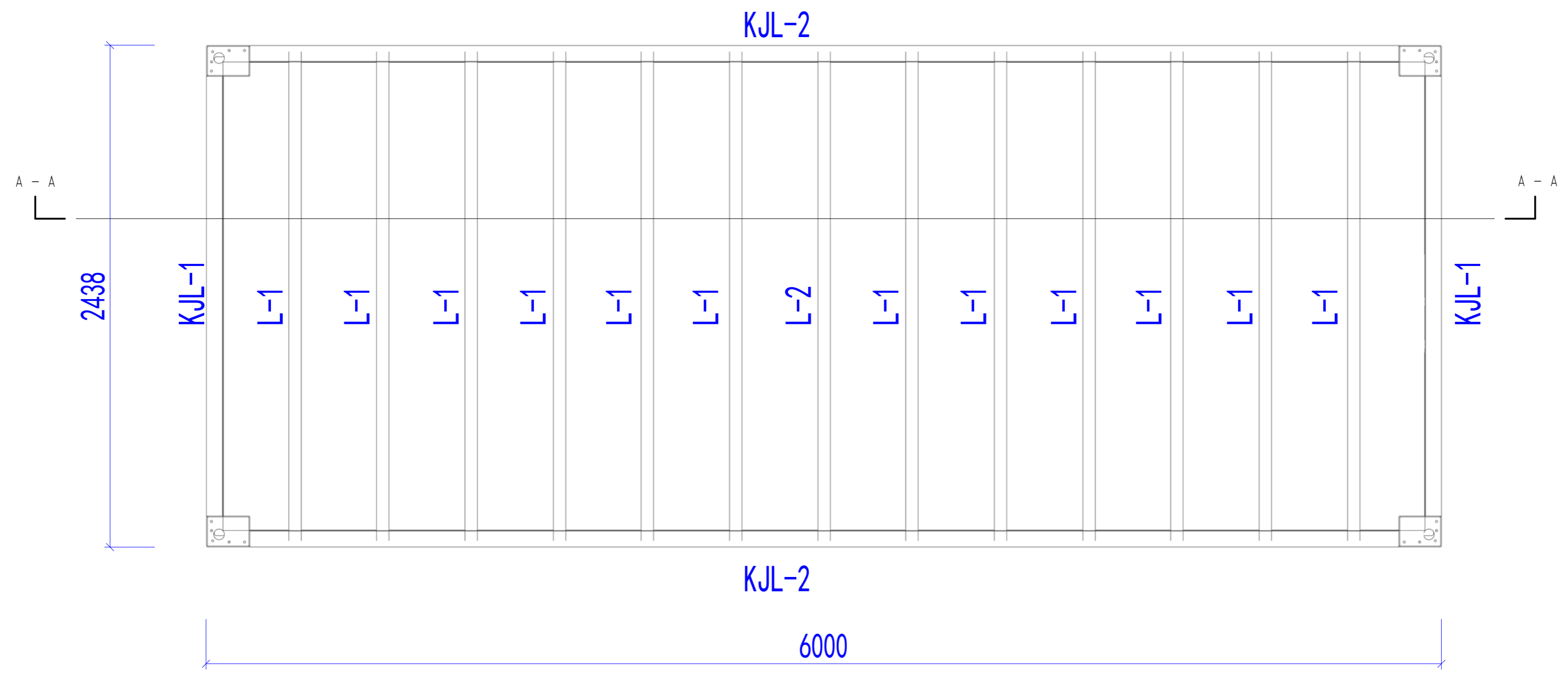
inlet breaker	inlet breaker	wire (sqmm)	cap. (kW)	circuit	use
40A/2P, 100mA PEN	10A/1P	3X2.5	0.4	w1	lighting
	10A/1P	3X2.5	0.6	w2	ventilator
	32A/1P	3X6.0	2.5	w3	A/C
	10A/1P				spare
40A/2P, 30mA PEN	10A/1P				spare
	20A/1P	3X4.0	1.5	w4	socket
	20A/1P				spare
	20A/1P				spare

工序 Process	签名 Signature	日期 Date
审定 Authorized By		
审核 Verified By		
项目负责人 Process		
校对人 Checked By		
设计 Designed By	设计者	10/31/19
制图 Drawn By	作者	10/31/19
执业签章 Engineer Signature		
出图签章 Engineer Signature		
项目名称 Project Name	Bathroom	
题名	Electrical plan	
工程编号 No.	PT190493	专业 Prof.
比例 Scale	1:10	JZ
未盖技术出图章 本图纸无效 This drawing is valid only after being stamped and signed.		

电	力
暖	通
水	卫
会	审
密	核



A - A



Base structure plan

Specification	
KJL-1	373*2.5mm
KJL-2	373*3mm
L-1	155*50*12*1.8mm
L-2	155*60*12*1.8mm

Copyright 2016.
 本图版权归浙江中天集成房屋有限公司所有，基本工图中所有标注均按国家标准和规定。
 THE OWNERSHIP OF THE COPYRIGHT IN THIS DRAWING REMAINS BY ZHEJIANG PUTIAN INTEGRATED HOUSING CO., LTD. WRITTEN CONSENT MUST BE OBTAINED BEFORE RE-USE OR REPRODUCTION OF THE DRAWING.

Rev	修改内容 Description	日期 Date	负责人 who send
-----	---------------------	------------	-----------------

PTH
 Zhejiang Putian integrated housing Co., Ltd.
 Hangzhou Zhongou Architecture Design (Institute) Co., Ltd.

证书等级	
证书编号	
合作设计单位	Cooperative Designer

工序 Process	签名 Signature	日期 Date
审定 Authorized By		
审核 Verified By		
项目负责人 Process		
校对人 Checked By		
设计 Designed By	设计者	11/15/19
制图 Drawn By	作者	11/15/19

执业签章
Engineer Signature

出图签章
Engineer Signature

项目名称
Project Name
Bathroom

题名
Title
Base structure plan

工程编号 No.	PT190493	专业 Prof.	JZ
比例 Scale	1:1	图号 No.	J0-13

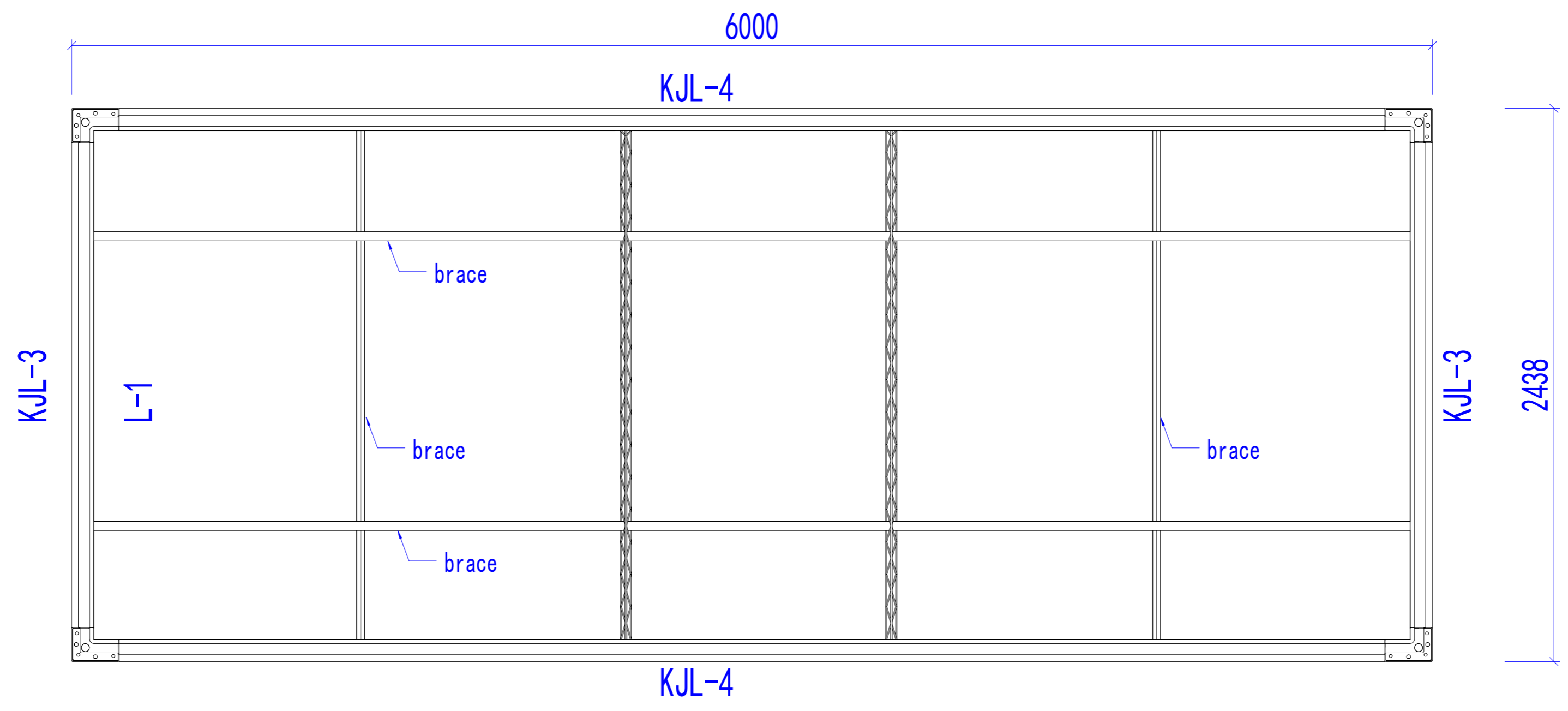
未盖技术出图章 本图纸无效
 This drawing is valid only after being stamped and
 This drawing is invalid if not stamped.

电力	暖通	动力
结构	给排水	
会	密	

Copyright 2016.
 本图版权归浙江中天集成房屋有限公司所有，基本工程材料本图仅供参考不作为施工依据。
 THE OWNERSHIP OF THE COPYRIGHT IN THIS DRAWING REMAINS BY ZHEJIANG PUTIAN INTEGRATED HOUSING CO., LTD. WRITTEN CONSENT MUST BE OBTAINED BEFORE ANY USE OR REPRODUCTION OF THE DRAWING.

PTH
 Zhejiang Putian integrated housing Co., Ltd.
 Hangzhou Zhonggu Architecture Design (Institute) Co., Ltd.

证书等级
 证书编号
 合作设计单位



Roof structure plan

Specification	
KJL-3	428*2.5mm
KJL-4	428*3mm

工序 Process	签名 Signature	日期 Date
审定 Authorized By		
审核 Verified By		
项目负责人 Process		
校对 Checked By		
设计 Designed By	设计者	11/15/19
制图 Drawn By	作者	11/15/19

执业签章
 Engineer Signature
 出图签章
 Engineer Signature

项目名称
 Project Name
Bathroom
 题名
Roof structure plan

工程编号 Project No.	PT190493	专业 Specialty	JZ
比例 Scale	1:1	图号 Drawing No.	J0-14

未盖技术出图章 本图纸无效
 This drawing is valid only after being stamped and
 is invalid without the technical drawing stamp.